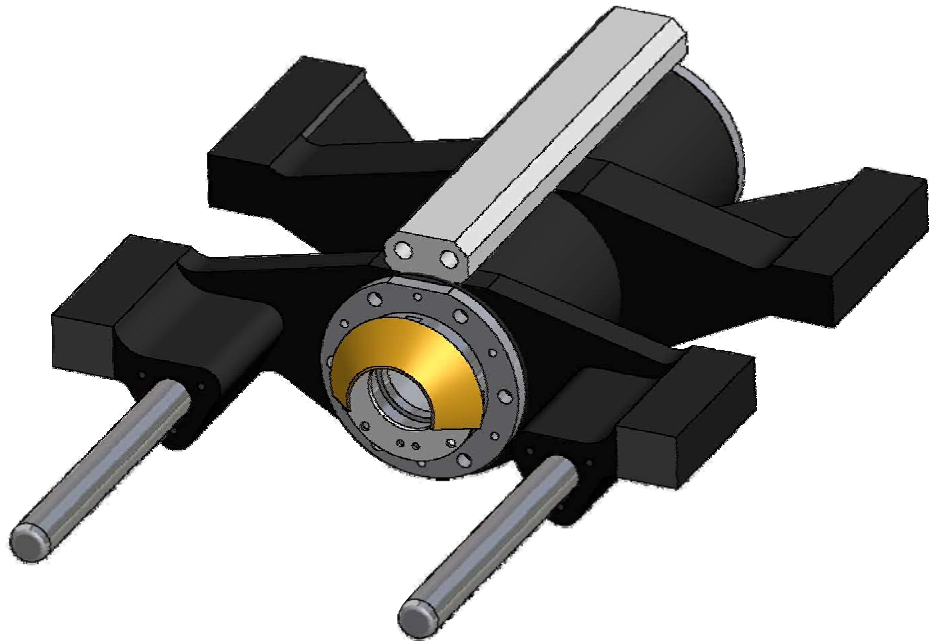


OKL CAN LINE INC.

# Linear Ram Guidance System for Ragsdale Style BM's

US Patent # 6553806

Serving the can making  
industry.....worldwide.



OKL's Linear Guidance Assembly is a versatile, low maintenance ram guidance system that combines today's carbon fiber materials with high quality and innovative mechanical Engineering and Manufacturing.

- ◆ Comes complete with Ram and Redraw Carriage.
- ◆ Quick diameter changes, typical change over in 1 -2 hours.
- ◆ Simple installation and set up.
- ◆ Time tested reliability.
- ◆ No oil requirements, entire system utilizes existing coolant from Tool Carrier.

**OKL Can Line Inc.**

11235 Sebring Drive  
Cincinnati, OH  
45240  
USA

Phone: + 1 513 825 1655  
Fax: + 1 513 825 1948  
WWW.OKLcan.com  
E-mail: Sales@oklcan.com

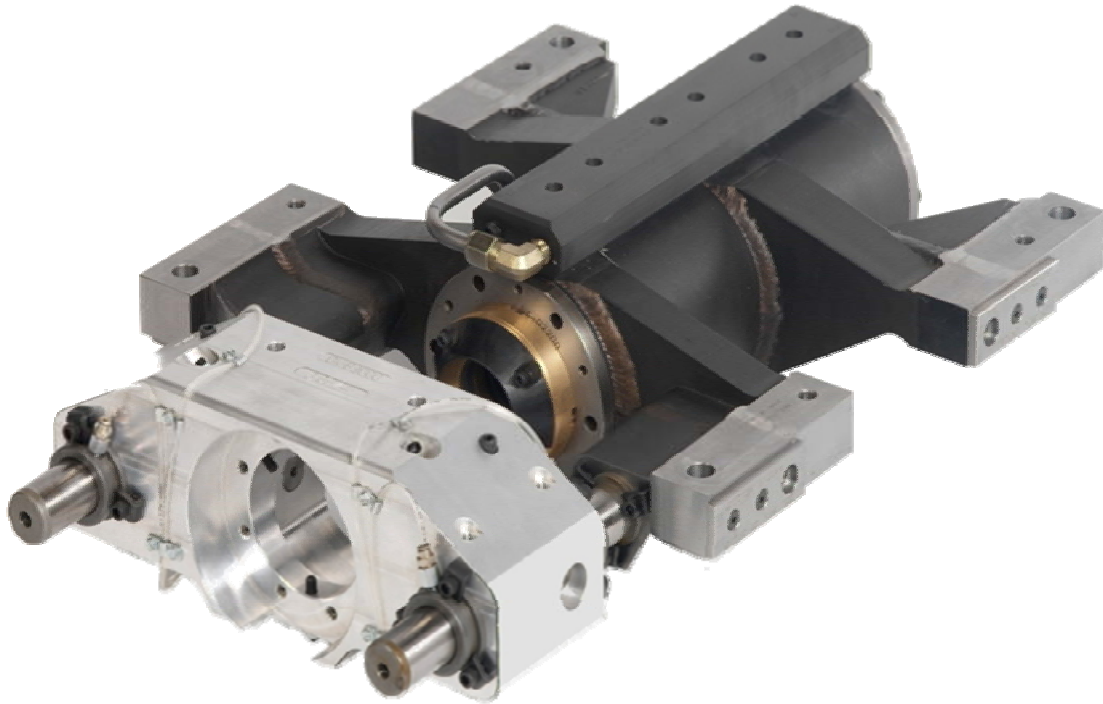


# Linear Guidance System

## (LGS)

US Patent # 6553806

- ◆ Full contact carbon fiber bearings.
- ◆ No high pressure pumps.
- ◆ Elimination of high pressure orifices.
- ◆ Elimination of heat exchangers and related water usage.
- ◆ Uses and re-circulates existing coolant media.
- ◆ Uses same Ram and connection linkage as standard FBR units.



Serving the can making industry.....worldwide.

### OKL Can line

11235 Sebring Drive  
Cincinnati, OH  
45240  
USA

Phone: + 1 513 825 1655  
Fax: + 1 513 825 1948  
WWW.OKLcan.com  
E-mail: Sales@oklcan.com

